

PALLET SCALES

200g to 2ton

Features :

- ◆ Optional Battery Backup.
- ◆ Overload and shock load protection.
- ◆ 100% subtractive taring range.
- ◆ Standard bi-directional RS-232 Interface.
- ◆ Audio visual overload indication.
- ◆ Piece counting, filling, printing, accumulation, weighing in multiple units.
- ◆ Available GLP compliant model in complete SS material for food, pharmaceutical industries

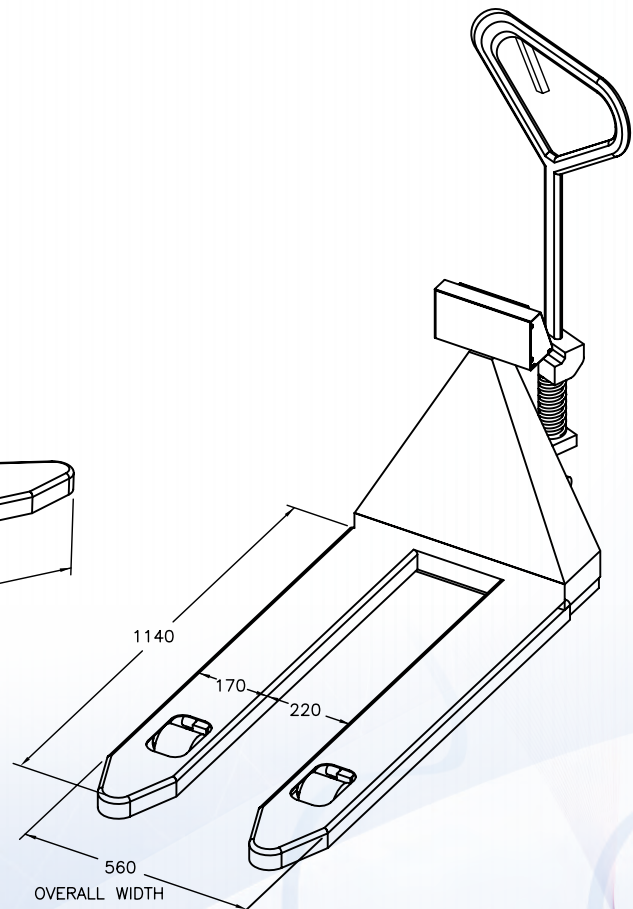
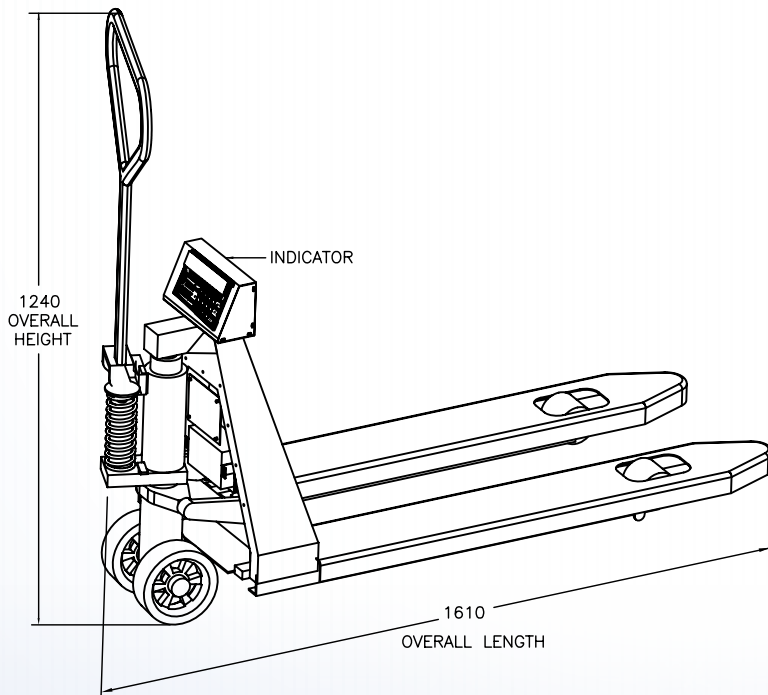
Specifications :

Four loadcell based Pallet Scales

Model	CPL-1T500	CPL-2T1K
Capacity	1 ton	2 ton
Readability	500g	1Kg



Taring Range : Up to full capacity
 Response time : 3-5 secs
 Power Req : 90-250V, 50/60Hz, 10 Watt
 Operating Temperature : 10 to 45 deg C



All Specifications and designs are subject to change for improvement.