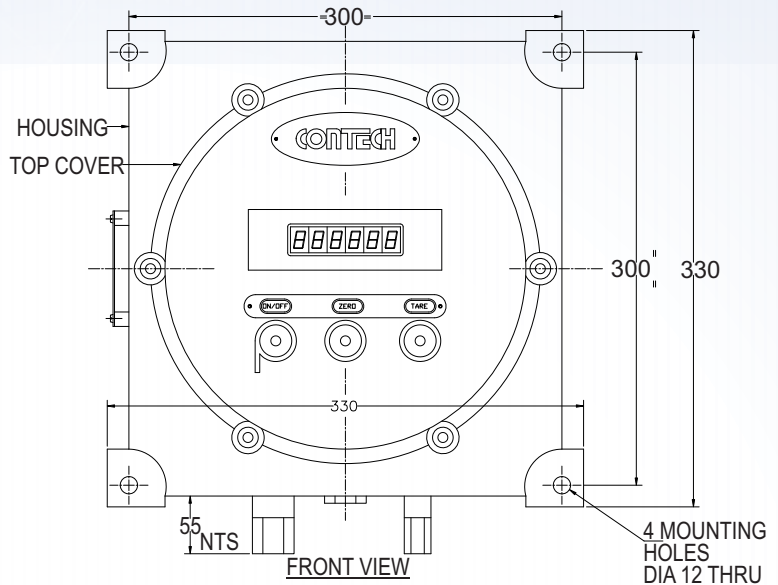


WEIGHING INDICATORS

Contech Platform Scales / Systems are offered with various types of Indicators for different working ambience and application.

FLAMEPROOF INDICATORS



- ♦ Cast aluminium construction in compliance with requirements in respect of flameproofness and temperature class suitable for use in Zone 1 & Zone 2 and gas groups IIA & IIB atmospheres. Certified by Central Institute of Mining & Fuel Research, Govt. of India.
- ♦ High Speed A/D conversion
- ♦ Optional battery backup
- ♦ Bright LED Display
- ♦ Suitable port along with cable glands for the power inlet & loadcell connection.
- ♦ Loadcell connection through Zenner Barrier.

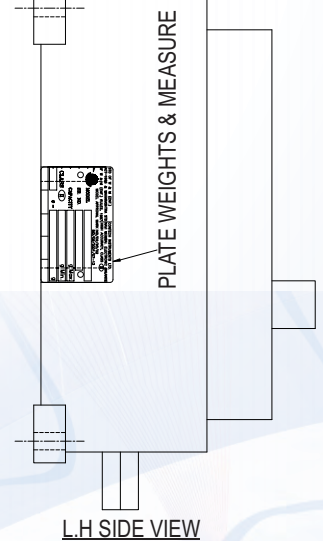
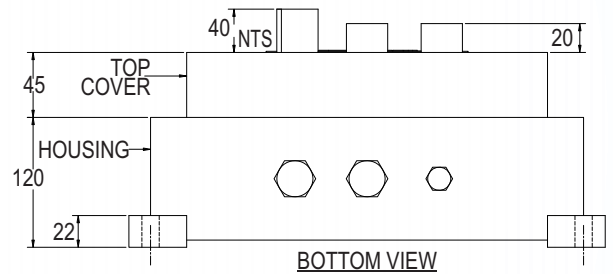
Specifications :

Taring Range : Up to full capacity

Response time : 3-5 secs

Power Req : 90-250V, 50/60Hz, 10 Watt

Operating Temperature : 10 to 45 deg C



All Specifications and designs are subject to change for improvement.