

High Resolution Scales (Loadcell Based)

0.01g to 3Kg



0.01g to 600g

Features :

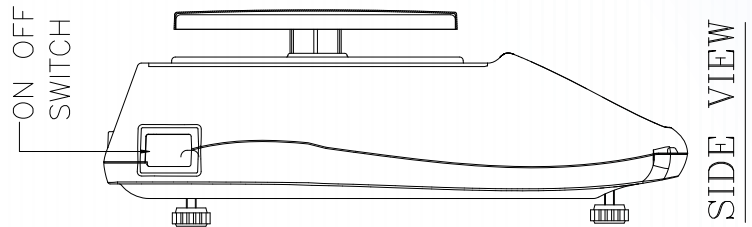
- ◆ Incorporate high quality loadcells.
- ◆ Compact, Light weight and portable.
- ◆ Inbuilt battery charger.
- ◆ Auto power off function.
- ◆ Multiple weighing units, gram & carat.
- ◆ Piece counting facility.
- ◆ RS-232 bi directional interface.
- ◆ Power saving mode.
- ◆ Overload and shockload protection.
- ◆ Weight slip printing (Optional).
- ◆ Bright Red LED Display.
- ◆ High bright green LED Display (Optional).
- ◆ Battery Backup (Optional).
- ◆ Additional Display (Optional).
- ◆ Breeze shield (Optional).

Specifications :

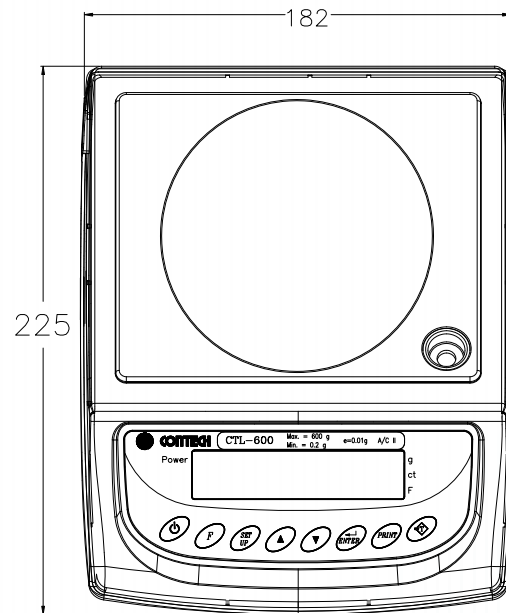
Model	Capacity	Accuracy(±)	Pan Size (in mm)
CTL-300	300g	0.01g	115
CTL-600	600g	0.01g	115
CTB-1001	1000g	0.1g	125
CTL-1202	1200g	0.02g	125
CTL-1201	1200g	0.1g	125
CTL-3001	3000g	0.1g	150

All Specifications and designs are subject to change for improvement.
Accessories shown in the catalogue are not standard parts of the product.

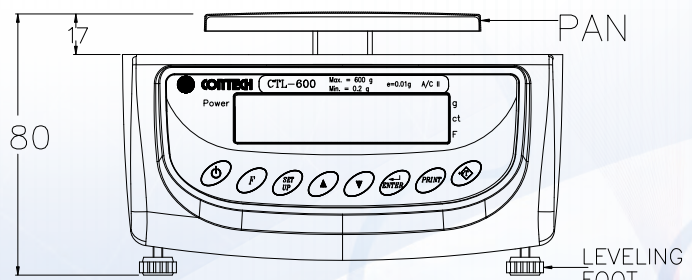
Taring Range	: Upto full capacity.
Response Time	: 3-5 seconds.
Power Supply	: 90-250V, 50/60Hz
Power Consumption	: 10 Watt
Operating Temperature	: 10-45°C



SIDE VIEW



TOP VIEW



FRONT VIEW



CONTECH[®]
Instruments Ltd.
AN ISO 9001, 14001 & OHSAS 18001 COMPANY
Where innovation never stops.....

301, Punit Indl. Premises, Turbhe Naka, Navi Mumbai - 400 705.
Tel. : +91 22 6139 3000 (100 lines)
Fax : +91 22 2761 8421
E-mail : info@contechindia.in / sales@contechindia.in
Website: www.contechindia.com



State Of The Art Manufacturing Plant