

BABY WEIGHING SCALES

5g to 20Kg

Features :

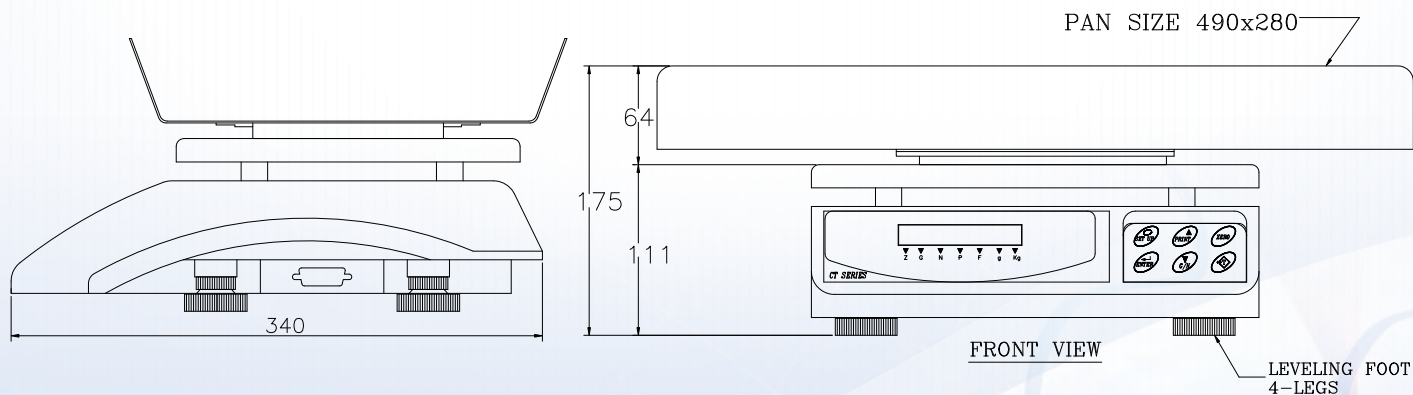
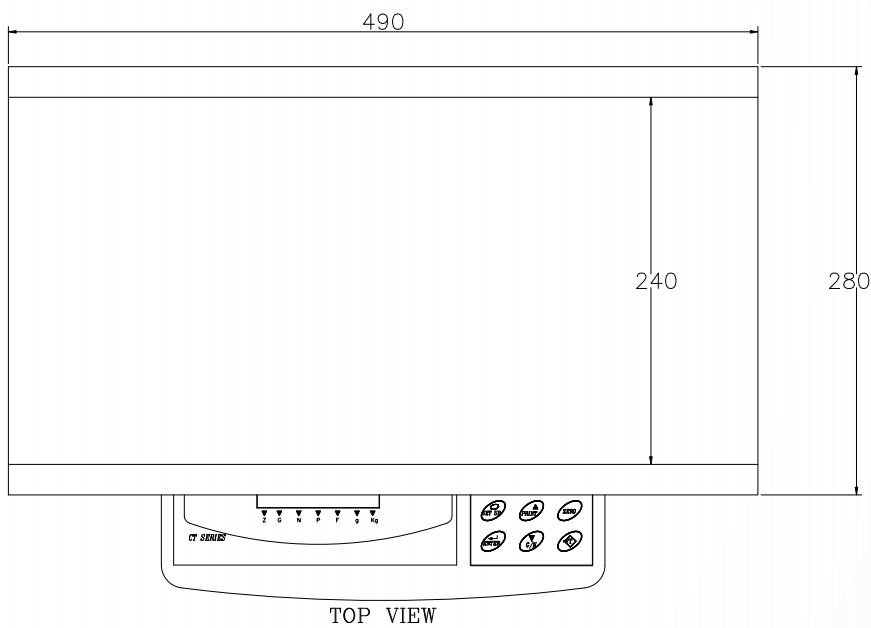
- ◆ Overload and shock load protection.
- ◆ Bright LED display.
- ◆ Large Pan Size.
- ◆ Pan Electrically Insulated from the scale for safety.
- ◆ Optional battery backup.
- ◆ Display hold facility.

Specifications :

Models	CT-20K5
Capacity	20kg
Readability	5g
Pan Size (mm)	450x260



Taring Range : Up to full capacity
Response time : 3-5 secs
Power Req : 90-250V, 50/60Hz, 10 Watt
Operating Temperature : 10 to 45 deg C



All Specifications and designs are subject to change for improvement.