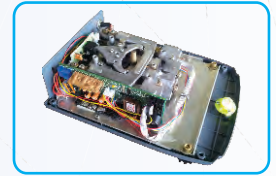


DENSITY BALANCE

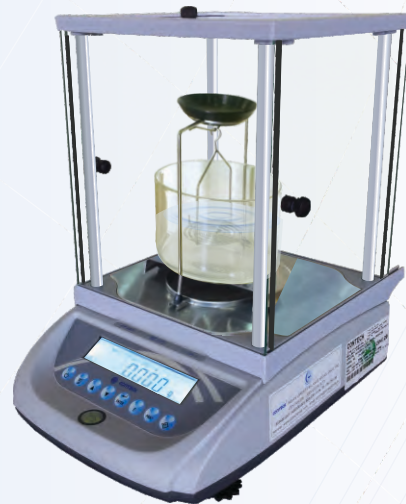
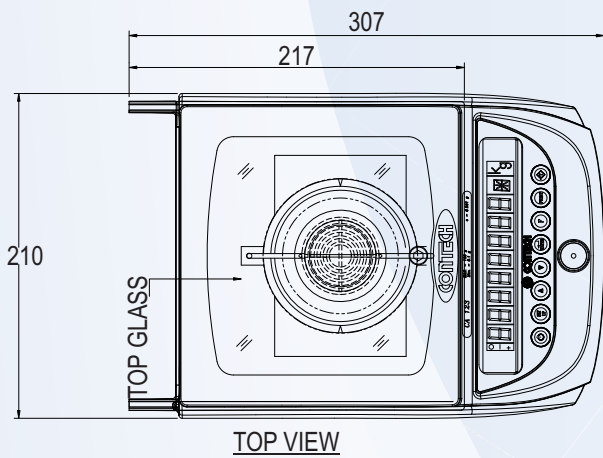
0.1mg to 10Kg

CONTECH High Precision Balances incorporate advanced Electro Magnetic Force Compensation (EMFC) technology for offering unmatched accuracy and reliability, coupled with unique ADC circuit with inbuilt temperature compensation to offer a very high stability upto a resolution of 6 million counts. All adjustment parameters are programmable to take care of any minor mismatch of different sub assemblies & Balances are configured with these parameters.

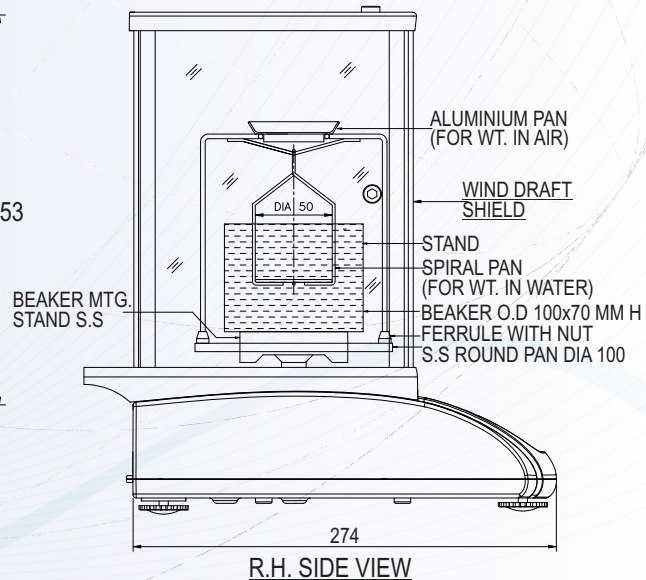
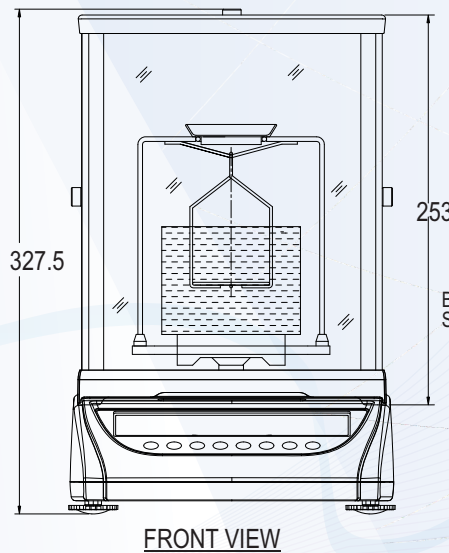
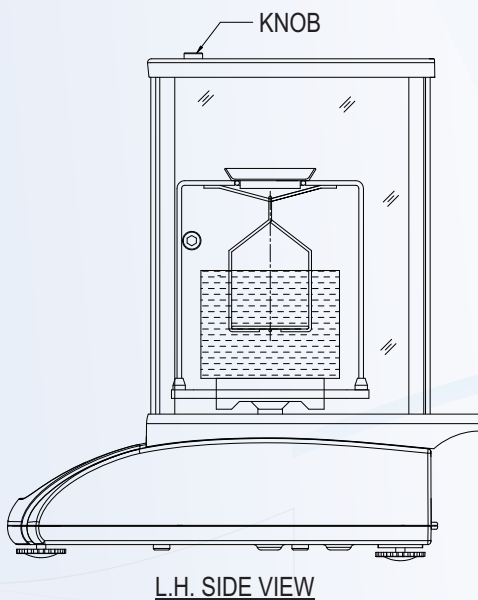


Advanced EMFC Transducer

- Density Determination Kit is available in 2 types one to be mounted on the pan and the other type is with attachment for weigh below the balance. Density Determination Kit consists density weighing pan assembly, stainless steel base for beaker, glass beaker, optional sinker for testing materials having density less than water and software (program) for density determination.
- Facility for programming density of liquid (other than water) and temperature of water.
- In case of multiple samples, storage of all the sample weights in air first and then in water, viewing of density of individual samples one by one on the display.
- Determination of density of liquid samples (Optional).
- Determination of air release value for oil samples (Optional).



Range :
0.1 mg - 300g
1mg - 1000g



Specifications for all Laboratory Balances

Taring Range : Up to full capacity
Response time : 3-5 seconds
Power Req : 90-250V, 50/60Hz, 10 Watt
Operating Temperature : 10 to 45 deg C

All Specifications and designs are subject to change for improvement.