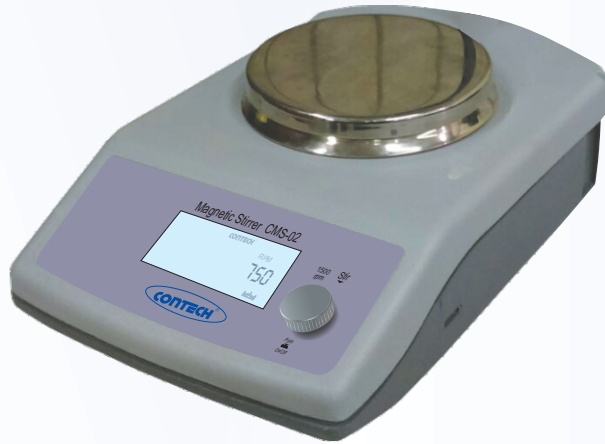


Magnetic Stirrer CMS-02

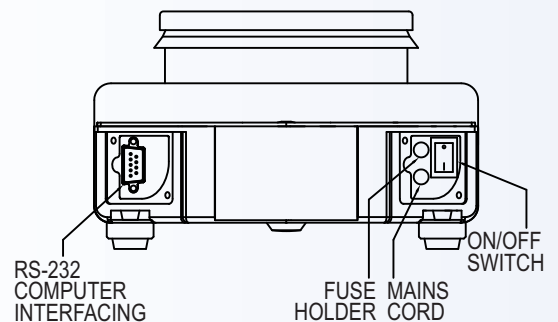
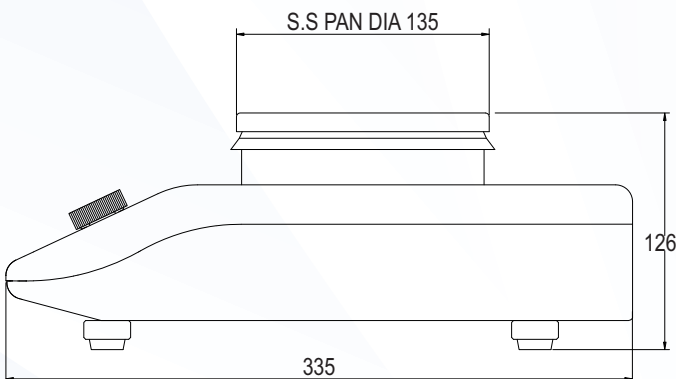
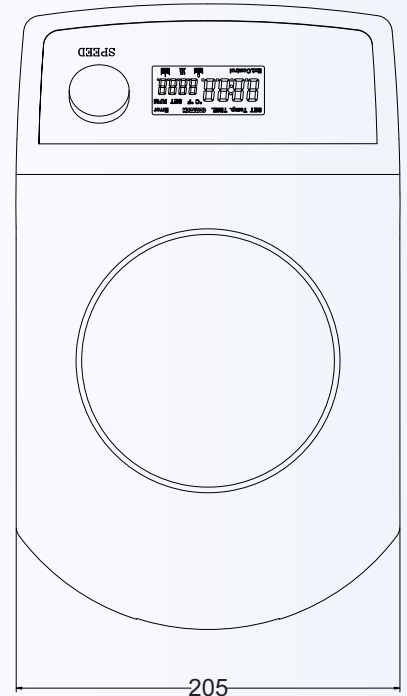


Features :

- ▶ Maximum Stirring Quantity : 10 litre water
- ▶ Microprocessor speed controller guarantees speed accuracy.
- ▶ Speed setting possible only while the stirring is off.
- ▶ LCD with backlite displays for set and actual speed.
- ▶ Stirring Speed range : 100~1500rpm with load
- ▶ Speed resolution : 1 rpm
- ▶ Speed Setting Increment : 10rpm
- ▶ Stirrer Plate Top : Stainless steel
- ▶ Stirrer plate diameter : 135mm

Specifications :

- ▶ Dimension (mm) : 205 (W) X 335 (L) X 130 (H),
- ▶ Weight : 4.5Kg approx.
- ▶ Power supply : 100~250 V AC, 50/60 Hz, 20 Watt



All Specifications and designs are subject to change for improvement.